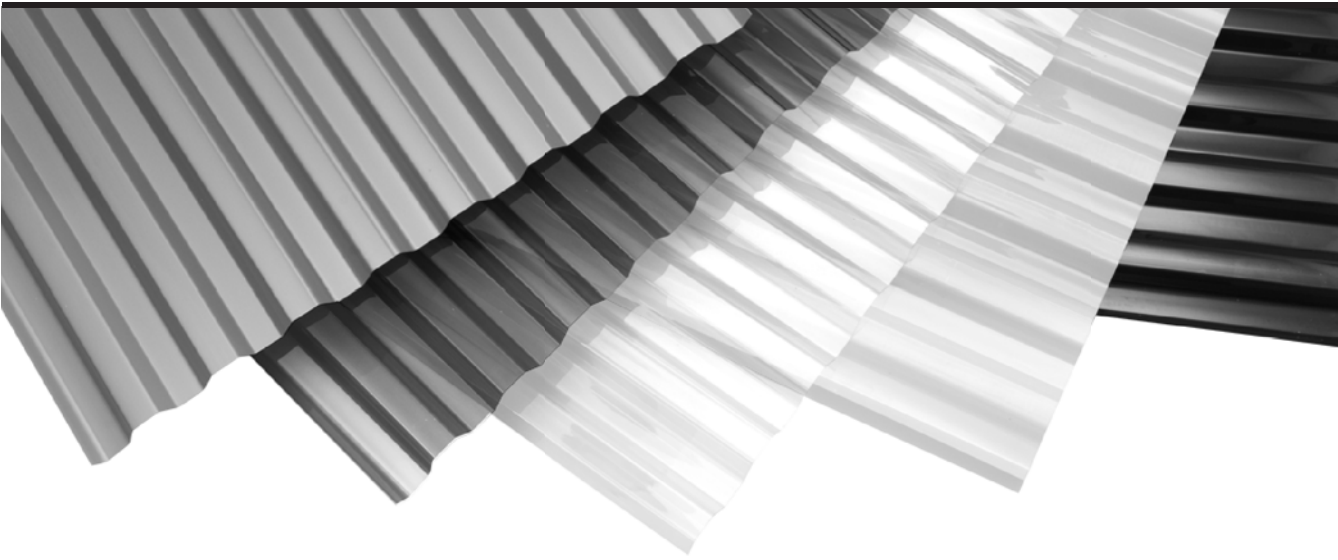




Corrugated Polycarbonate Panels



www.PalramAmericas.com

INSTALLATION GUIDE

This page is intentionally blank.

This page is intentionally blank.

Contents

About Palram Americas.....	1
Introduction to Suntuf.....	1
Transportation, Handling and Storage.....	1
Chemical Resistance and Fire Hazard Comments.....	2
Sawing, Cutting and Drilling.....	2
Panel Dimensions.....	3
Suntuf Accessories	3
Safety Measures.....	4
Design Considerations and Installation Notes.....	4
Fasteners.....	5
Installation Applications.....	6
Canopy Installation.....	6
Vertical Installation.....	8
Greenhouse Applications.....	9
Curved Applications.....	9
Miscellaneous Applications.....	9
Technical Support.....	9

Appendices

- A. Physical Properties and Light Transmission
- B. Load Support Data
- C. Warranty



Miami-Dade County, FL - Approved for Canopy Applications

Notice of Acceptance (NOA) #: 08-0709.14

Expires: August 28, 2013

For all specific required details for Miami Dade approved installations, please refer to the Miami-Dade County Notice of Acceptance (N.O.A.) which can be downloaded at <http://www.miamidade.gov/buildingcode/home.asp>



About Palram Americas

Palram is one of the world's largest and most advanced manufacturers of polycarbonate, PVC and other thermoplastic sheets for the building industry and for the do-it-yourself market.

Palram Americas is a division of Palram Industries, the world's leader in flat and corrugated thermoplastic sheets with over \$200 million in annual sales. With manufacturing, distribution and sales operations reaching across six continents and over 120 countries around the world, Palram is truly a global enterprise.

Introduction to Suntuf

Innovative Suntuf polycarbonate panels are the durable, versatile choice for a wide variety of do-it-yourself projects. From deck covers to breezeways to skylights, Suntuf is the one building panel that no serious do-it-yourselfer can do without.

Suntuf has become the leading material in commercial greenhouse roofing, thanks to its durability, light transmission properties, profile structure, and performance in extreme temperatures. They provide the perfect combination of strength, light transmission, flexibility, light weight, transparency and weather resistance for dozens of commercial and industrial applications.

Suntuf is available in the following product groups:

Suntuf: Corrugated polycarbonate sheet with co-extruded UV protective layer on one side.

Suntuf Plus: Corrugated polycarbonate sheet with co-extruded UV protective layer on the exterior side and anti-condensation treatment applied to the interior side.

Suntuf UV2: Corrugated polycarbonate sheet with co-extruded UV protective layer on both sides.

Suntuf Solar Control: Corrugated polycarbonate sheet that transmits selected percentages (20%, 35%, or 50%) of the light energy while keeping the undesired components of the energy spectrum (heat) out. The solar control feature is an integral part of the sheet and will not peel away.

Suntuf is also available in a variety of colors including clear, solar gray, opal white, red brick, misty green, hunter green and solar control silver. For information regarding the light transmission properties for each of these colors, refer to the index contained in this document.

Transportation, Handling and Storage

Palram recommends the following practices regarding the transportation, handling and storage of Suntuf panels:

1. Transport and store Suntuf panels horizontally, on flat, sturdy pallets, equal or longer than the longest panels. Short panels should be stacked on top of longer ones. The panels should be secured and fastened to the pallet during transportation.
2. Store Suntuf panels in a cool and shaded place, out of direct sunlight. Avoid covering the stack of panels with dark or heat-absorbing materials or objects, to prevent solar heat buildup.
3. When necessary to store panels outdoors, cover the stack with a white opaque polyethylene sheet, corrugated cardboard or other materials that do not absorb or conduct heat. Verify that the entire stack is covered.
4. Suntuf panels are tough, requiring no special care. Nevertheless, Palram recommends some cautionary steps:
 - Avoid stepping or driving on the panel while the panel is on the ground
 - Avoid folding panels during handling and installation
 - To prevent scratching, do not drag the panels on the ground or scrape them against structural elements or other rough objects



Chemical Resistance and Fire Hazard Comments

1. Suntuf panels are resistant to a variety of chemicals and exhibit limited resistance to a second group of chemicals. A third group of chemical may attack and damage the panel. Degree and severity of damage depends on chemical type and duration of exposure. To assess the nature of anticipated chemical resistance, consult Palram Americas Technical Support Department..
2. Choose only sealants and adhesives that are compatible with Suntuf polycarbonate sheets.
3. Suntuf panels will melt down at approximately 400°F, generating openings for smoke release in the event of fire.

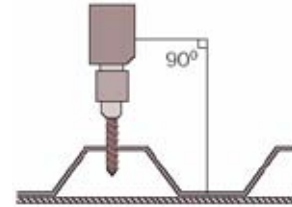
Sawing, Cutting and Drilling

1. Suntuf panels can be cut or sawed by manual or power tools. A bench / table circular saw is best for straight long cuts. For better results cut a few panels together. Portable circular saws are suitable for on-site straight cuts. Fine toothed blades recommended for cutting plastics (particularly polycarbonate) should be used. Consult the blade manufacture for suitability. Cutting should be done with blades spinning at high speeds, and material fed at a slow rate. Panels should be clamped during sawing to avoid



vibration. Avoid intersecting cuts. If an intersecting cut must be made, drill a hole at the intersection point and cut the panel up to the hole. A jigsaw may be used for cutting a limited length of irregular or curved lines. Hand tools such as handsaw, metal shears or hand-held cutting knives can be used for localized, limited work.

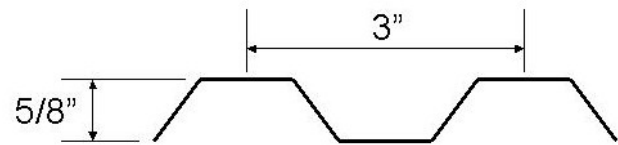
2. Drilling is done using a power drill with regular high-speed steel bits intended for metal, rotating at about 1,000 RPM. Better results with Suntuf are achieved using bits ground to shallower tip angle than for metal. Clamp the drilled panel down to avoid vibrations or movement during operation.



3. Keep all cutting and drilling areas clean. Blow away saw dust and drilling debris with compressed air.

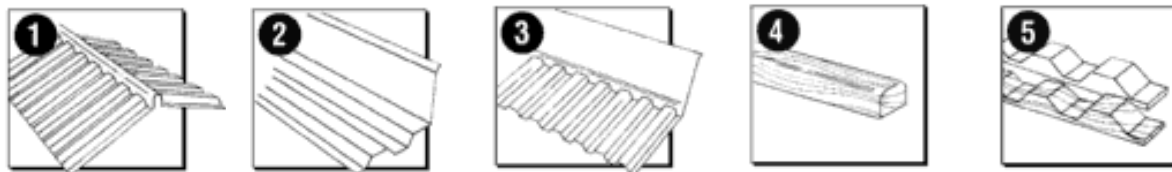
Panel Dimensions

Suntuf panels use the following corrugation pattern, referred to as profile name Greca 76. This profile consists of a repeated squared off trapezoidal shape and should not be confused with the round corrugation profiles of other Palram Americas products. Suntuf panels are available in widths of 26" (at 8', 10', and 12' lengths) and 49.6" (at 8', 12', and 16' lengths).



Suntuf Accessories

The following accessories are available for use in your Suntuf installation. Note that these accessories are made for use with the Suntuf profile panels and may not be compatible for use with other Palram Americas Inc.'s products.

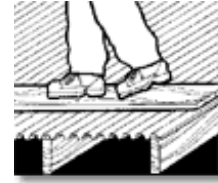


1. Suntuf Ridge Cap Flashing (4'-2" L x 12" W)
2. Suntuf Side Ridge Flashing (4'-2" L x 7" W)
3. Suntuf Wall Connector Flashing (4'-2" L x 8" W)
4. Suntuf Vertical Closure Strip, plastic (7/8" H x 1 3/16" W x 36" L); Note: limited--and decreasing--availability in wood (7/8 H x 1 3/16" W x 72" L).
5. Suntuf Horizontal Closure Strip, available in plastic (3/4" H x 7/8" W x 36" L) and white foam (3/4" H x 7/8" W x 36" L). Note: limited--and decreasing--availability in wood (3/4" H x 7/8" W x 72" L).

Safety Measures

The following safety measures should be followed during and after installation of Suntuf panels.

1. Use ladders, crawling boards and other safety equipment required for safe installation. Use all safety measures required according to local safety regulations.
2. Don't step on installed panels between support members for fear of falling. Rather, use a sturdy board adequate to support your weight and long enough to span at least three structural members.
3. Never leave Suntuf panels unattended on the roof until all the required fasteners have been appropriately installed or the panels secured to the supporting structure.



Design Considerations and Installation Notes

Before You Begin Your Project

Make sure the color of all panels match. Be sure Panel and Horizontal Closure Strip profiles fit together and that all accessories match the Suntuf profile. Snow, wind and weather loads should be considered when designing the slope degree of your structure. Before installation, check local building codes for relevant specifications and recommendations. Follow local codes at all times.

Pitch

This is the amount of height in inches the rafter rises over a 12" run for roofing applications. The minimum recommended slope for Suntuf is 1-1/2" in 12". When installed at a lower pitch, additional sealing should be applied to insure weather resistance.

Purlins / Cross Supports

Cross supports (purlins) must be no more than 36" apart for Suntuf. This is the maximum recommended spacing. For most typical installations however 24" is recommended to give the best balance of economy, light transmission and structural support.

Sealants

We strongly recommend the use of Palram's SunSeal brand of approved silicone sealant and other tested and approved sealing, bonding and adhesives that may be required.



Closure Strips

Suntuf's closure strips are made from wood, plastic, or foam. Foam closures are recommended because they can be stretched slightly to align with the panels to form a compression fit.

Ventilation

With all Suntuf installations, proper ventilation is suggested to minimize heat buildup and condensation. Depending on regional conditions this may include incorporating an open air aspect to the structure's design or the installation of power fans. Palram Americas is not responsible for the failure to account for the important design aspect. If condensation is an issue, Suntuf Plus panels should be specified as they can minimize (but not necessarily completely prevent) this problem.

Panel Orientation

Install panels with the label side facing up toward the sky (sheet corrugations at each side will then face down). This will insure that the UV protection layer is on the side facing the sun. Failure to follow this advice will result in the eventually discoloration of the panel.

Care and Maintenance

Avoid contact with chemicals, paints, adhesives or other synthetic materials that are incompatible with polycarbonate. Never use glass cleaners with ammonia, or ammonia based products. Clean with lukewarm soapy solution using a soft cloth or sponge. Do not use abrasive brushes as these will mark the surface.

Fasteners

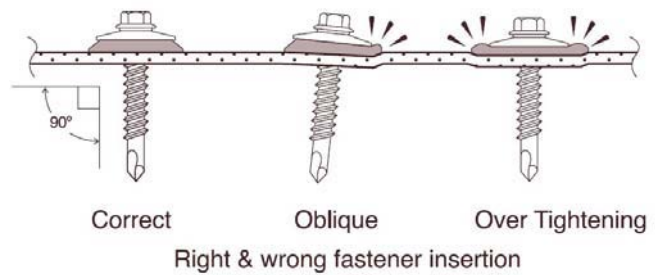
Palram recommends the use of Palram/Suntuf brand EPDM washered fastener only. Palram fasteners for Suntuf panels are tested and approved to be compatible with polycarbonate, whereas other brands may not be. Incompatible washers can result in panel failure that is not covered by warranty. Contact Palram for information about availability of optional larger washers if local building codes prescribe their use, or if installation is in high wind area.

Pre-drill all fastener holes with a 1/4" drill bit for Woodtite and Metaltite fasteners to accommodate for the thermal movement of the panel. Over-drill by an extra 1/16" for other fastener diameters. Failure to accommodate for thermal movement will cause buckling of the sheet.

Use 2" fasteners for all roof applications. 1" fasteners are adequate for vertical applications (i.e., side walls, end walls, and partitions).



DO NOT Over-tighten Fasteners causing the rubber washer to compress. Tighten all fasteners until they are “snug.” If the neoprene washer becomes deformed, the fastener is too tight. Drive fasteners perpendicular to the Suntuf face (see illustration given to the right). Tighten moderately by hand or with an adjustable torque power screwdriver. NEVER use an impact wrench / driver for fastening Suntuf.



IMPORTANT NOTE: The washers / gaskets chosen for use with Suntuf panels were selected after careful checks and tests. Shaped gaskets seal the fasteners’ holes and heads well without excessive pressure on the Suntuf panel, allowing for limited thermal expansion. Recommended washer / gasket compatibility with polycarbonate is assured by Palram Americas.

Installation Applications

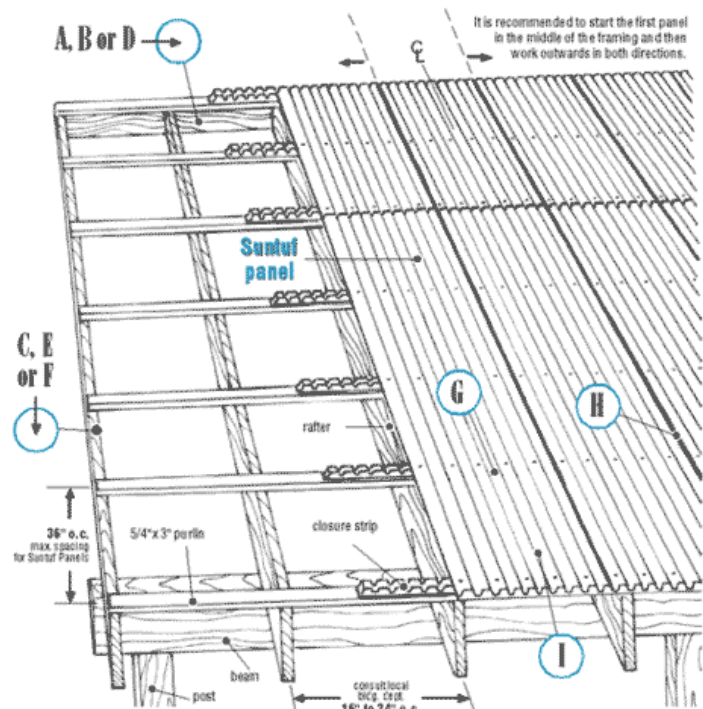
Suntuf polycarbonate panels are used in a variety of applications. Following are instructions for the most common uses of Suntuf panels. If the application you are considering for these panels is much different from those depicted here, contact Palram America’s technical support for guidance.

Canopy Applications

The most common application for Suntuf panels is usage in canopy applications (patio cover, awnings, etc.). Shown here are two approaches for installation. The approaches are shown as the “Purlins over Rafters” configuration and the “Integrated Purlins” configuration.

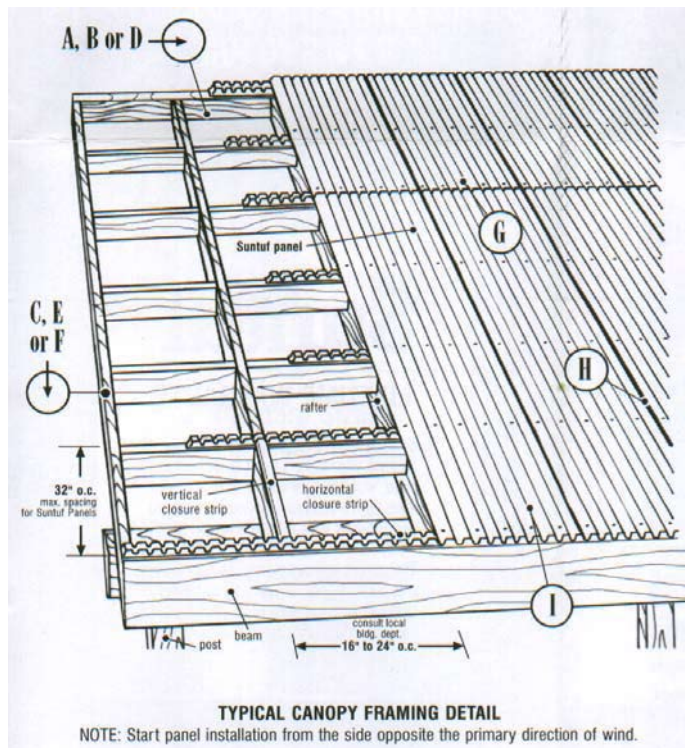
Purlins over Rafters Configuration

This approach is the simplest to employ and is found in Palram America’s “do-it-yourself” documentation. It involves installing the purlins (horizontal supports) on top and across the rafters. Vertical closure strips are confined to sealing the edges. Utilizing closure strips, attach fasteners on the crown of every other rib in the horizontal direction. In high wind areas, fasten on the crown of every rib. This approach offers the best combination of installation ease and product performance.



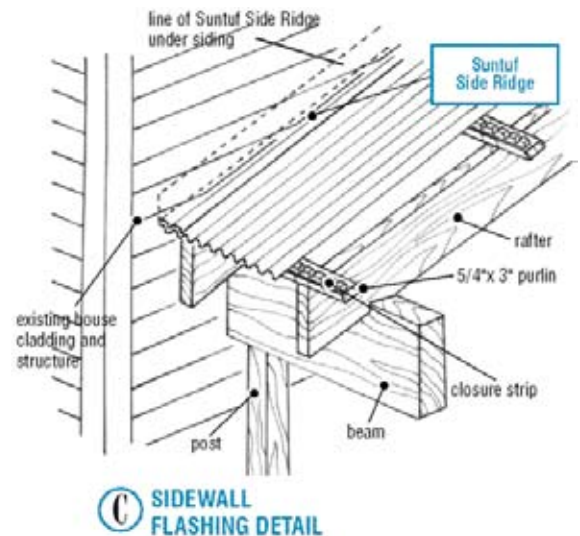
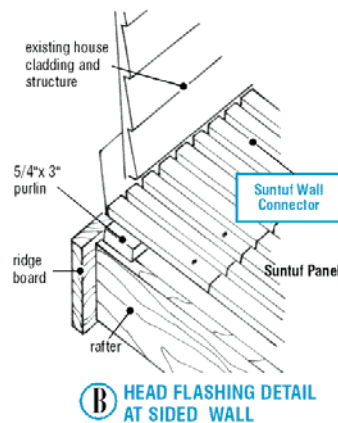
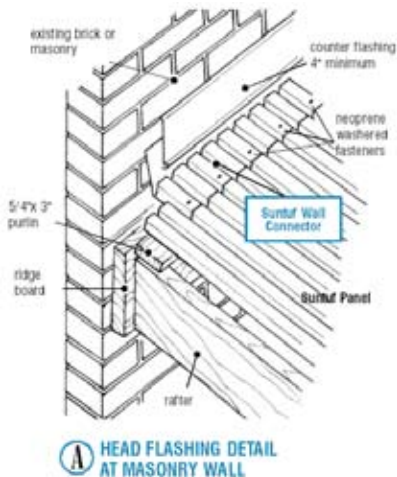
Integrated Purlins Configuration

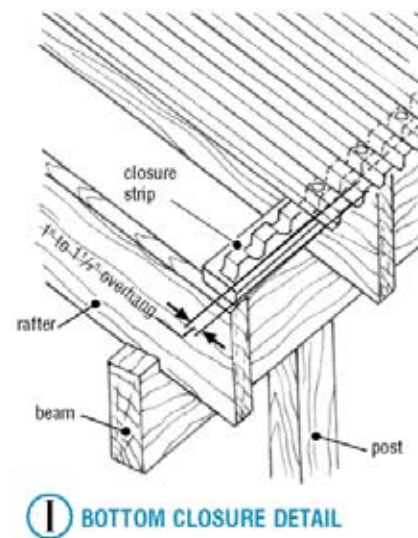
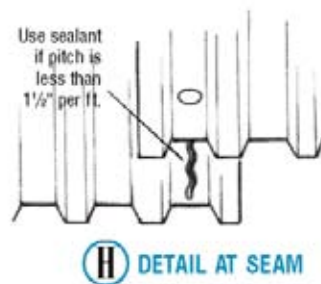
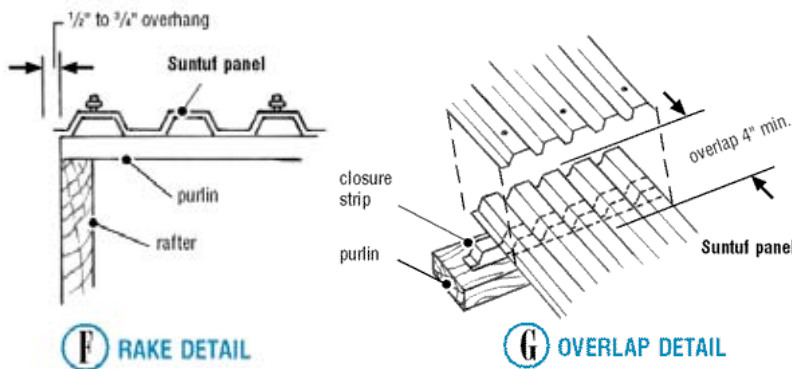
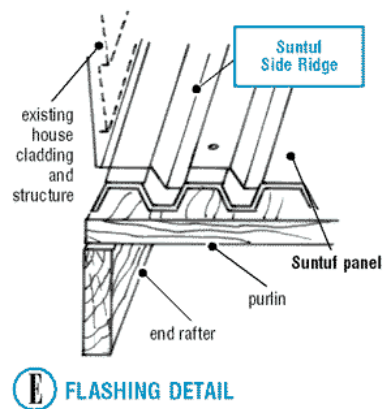
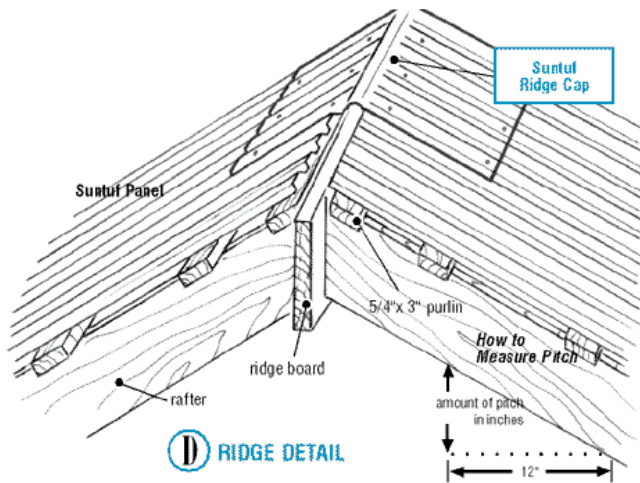
This approach involves “blocking-in” horizontal supports, and may be desired for some installations. With this method it is also possible to place vertical closure strips on rafters throughout the installation if desired. As with the previous configuration, Utilizing closure strips, attach fasteners on the crown of every other rib in the horizontal direction. In high wind areas, fasten on the crown of every rib.



Details

Details applicable to each configuration are shown below.





Vertical Installation

Vertical Installation of Suntuf is essentially the same as with roofing / canopy applications. Fastener spacing and application is the same, except that fasteners are to be installed in the corrugation valleys (as opposed to the crests). Closure strips are not required for vertical installations.

Greenhouse Applications

Suntuf polycarbonate panels make excellent cladding for greenhouse projects. Installation for such projects generally follows the same procedures as those previously outlined. Special considerations should be taken into consideration however for condensation and fogging. "Suntuf Plus" panels are coated with an anti-fog layer to minimize this effect, and should be used to minimize this effect.

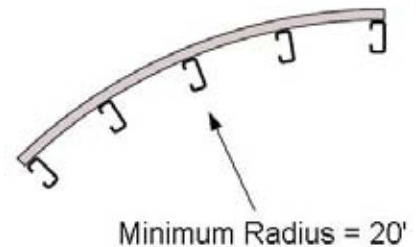
For large scale greenhouse projects utilizing Suntuf panels, Palram America's Horticulture division should be consulted for additional design considerations, specialized installation instructions, and the availability of specialized greenhouse specific accessories. Visit Palram Americas web site that is dedicated exclusively to commercial horticultural applications.

Palram Americas Horticultural Products Division

<http://www.palramhort.com>

Curved Applications

When covering curved structures, it is possible to set the sheets on an arched framework so that they arch with in the range of elasticity of the sheets without inducing stress. The minimum radius of the arch created is 20 feet.



Miscellaneous Applications

While this document provides guidance for the most common applications for Suntuf, there are many other possible uses not accounted for here. If you have any questions regarding the use or installation in a particular application, contact Palram Americas Technical Support.

Technical Support

Palram Technical Support is available weekdays 9am to 5pm EST by calling 800-999-9459. Questions may also be emailed to support@palram.com

Appendix A: Physical Properties and Light Transmission

Typical Properties of Suntuf Sheets

Property	(Method)	Conditions	Units	Value
Density	ASTM D-1505		lb/ft ³	75
Tensile Strength at Yield	ASTM D-638	0.4 in/min	psi	9,000
Tensile Strength at Break	ASTM D-638	0.4 in/min	psi	9,500
Elongation at Yield	ASTM D-638	0.4 in/min	%	7
Elongation at Break	ASTM D-638	0.4 in/min	%	>80
Tensile Modulus of Elasticity	ASTM D-638	0.4 in/min	psi	340,000
Notched Strength Izod	ASTM D-256	73° F	ft-lb _i / in	1.5
Notched Strength Charpy	ASTM D-256	73° F	ft-lb _i / in	1.5
Rockwell Hardness	ASTM D-785		R-Scale	118
Service Temperature Range			°F	-40 to 212
Coefficient of Linear Thermal Exp.	ASTM D-696		10 ⁻⁵ in / in °F	118
Thermal Conductivity	ASTM C-177		Btu in / hr ft ² °F	-40 to 212

Light Transmission Values for Suntuf Colors

Color	Light Transmission
Transparent	90%
Opal White	45%
Solar Gray	35%
Smooth Cream	30%
Misty Green	20%
Hunter Green	Less than 5%
Red Brick	Less than 5%
Metallic Silver (Solar Control)	20%



Appendix B: Load Support

When designing the underlying structure for your application, be sure to account for the following loading data:

Suntuf Panels Support the Following Loads:

Pounds Per Square Foot	20	30	40	50
Cross Support Bracing	36"	24"	16"	12"

Appendix C: Warranty

Suntuf Polycarbonate Panels carry a limited lifetime warranty not to lose more than 10% of their light transmission (when tested in accordance with ASTM-B-1033-77). They are also warranted for ten years against impact damage (including hail). For complete text of the Suntuf warranties visit the following internet page or contact Palram Americas Technical Support.

<http://www.PalramAmericas.com/Downloads>

This page is intentionally blank.

This page is intentionally blank.

Inasmuch as Palram Americas has no control over the use to which others may put the product, it does not guarantee that the same results as those described herein will be obtained. Each user of the product should make his own tests to determine the product's suitability for his own particular use including the suitability of environmental conditions for the product. Statements concerning possible or suggested uses of the products described herein are not to be construed as constituting a license under any Palram Americas patent covering such use or as recommendations for use of such products in the infringement of any patent. Palram Americas or its distributors cannot be held responsible for any losses incurred through incorrect installation of the product. In accordance with our company policy of continual product development you are advised to check with your local Palram Americas supplier to ensure that you have obtained the most up to date information.

Palram Americas reserves the right to change product specifications and/or information contained in this brochure without notice.



PALRAM AMERICAS

9735 Commerce Circle, Kutztown, PA 19530
Phone: 610-285-9918 (Toll Free: 800-999-9459)
Fax: 610-285-9928
E-mail: PalramAmericas@palram.com
Web Site: www.PalramAmericas.com

